

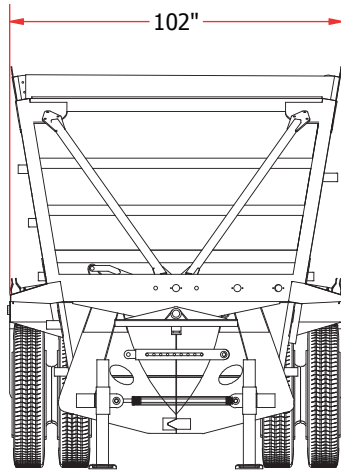
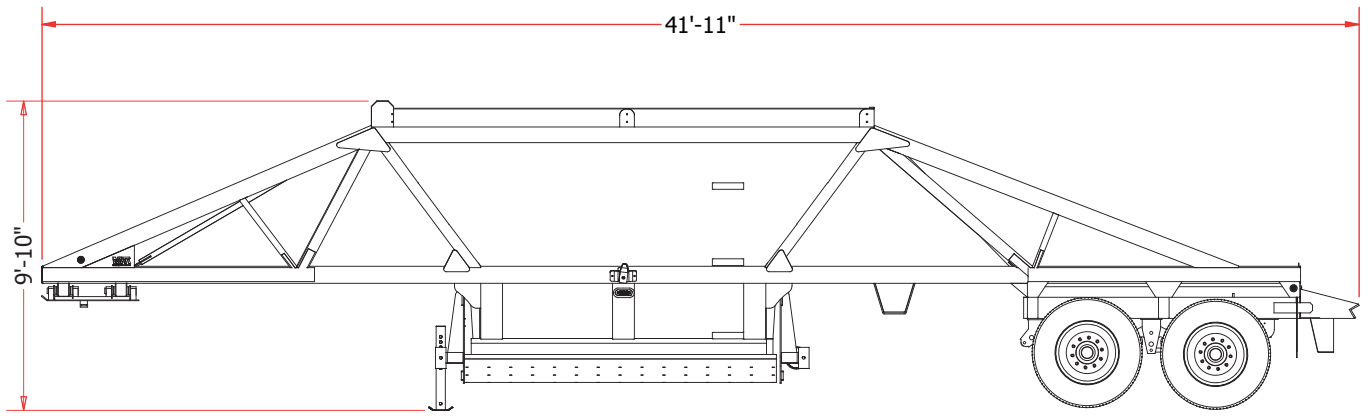


**TRUCK
TRAILER
PROS**

BELLY DUMP BD400



BELLY DUMP BD400



BELLY DUMP BD400

DIMENSIONS

Overall Width	102 inches
Overall Length	41 feet 11 inches
Overall Height	118" with sideboards
Fifth Wheel Height	46 inches
Fifth Wheel	Oscillating upper plate with king pin
Capacity	20.5 cubic yard single hopper/ 23.5 cubic yard with 8" bang boards
Payload	65,000 Lbs
Number of axles	2
Tare Weight	12,600 Lbs +/- 3%
Hopper dump opening	55" x 107"
Upper hopper opening	90" x 190"

STANDARD FEATURES

Upper Coupler Assembly	5/16" thick pick-up plate
Mud Flaps	24"x36" black plastic, 4 hole mounting
Electrical System	12 volt, 7-way split pin receptacle plug
Tarp System	Electric, mesh tarp
Hopper Dump Opening	Hydraulic
Hydraulic Power Source	Electric 12 V DC
Rims	8.25" x 22.5" Aluminum
Tire Size	11R24.5
Spare Tire	1 Spare Tire 11R24.5 Aluminum Rim
Hub Type	Steel
Axle Type	5" round, tapered, 77.5" long
Axle Centers	49 inches
Suspension type	Three-leaf Spring Ride
Brake System	Valve system for service brakes. 2S1M BENDIX ABS system
Metal Preparation	Clean, dry steel and commercial blast cleaning
Topcoat	Electrostatic Powder Coating



**TRUCK
TRAILER
PROS**

Truck Trailer Pros
(210) 760-0509
Info@TruckTrailerPros.com

TruckTrailerPros.com