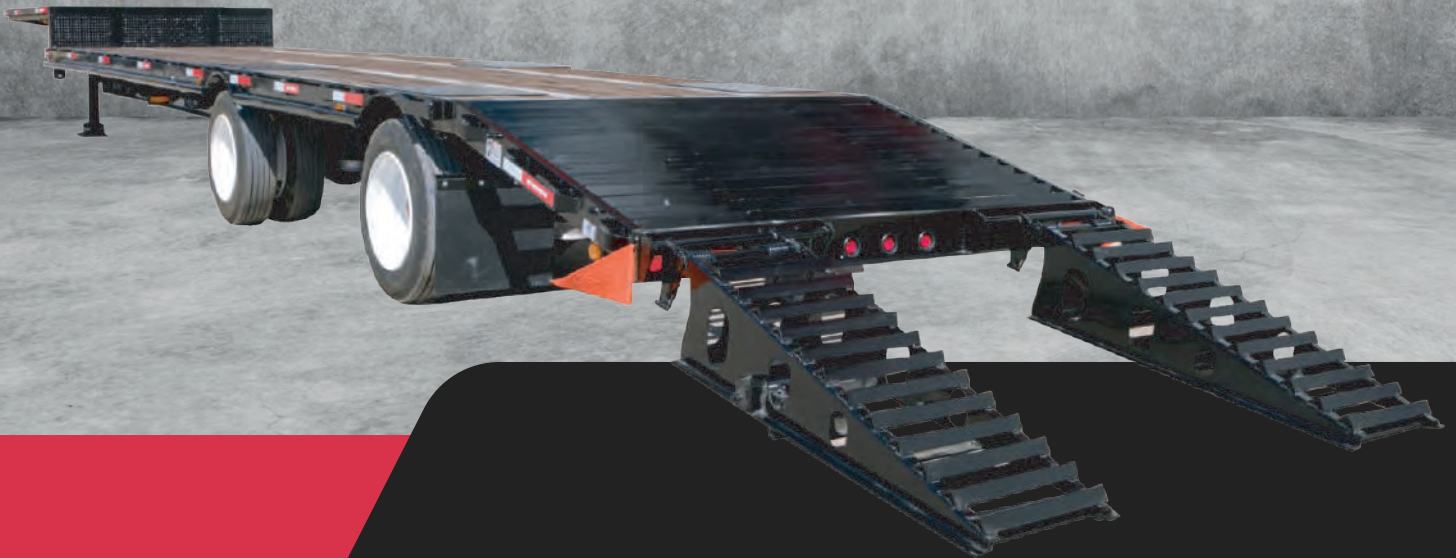




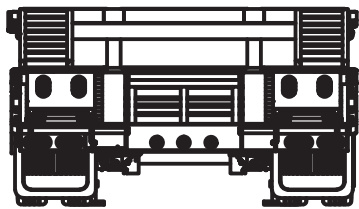
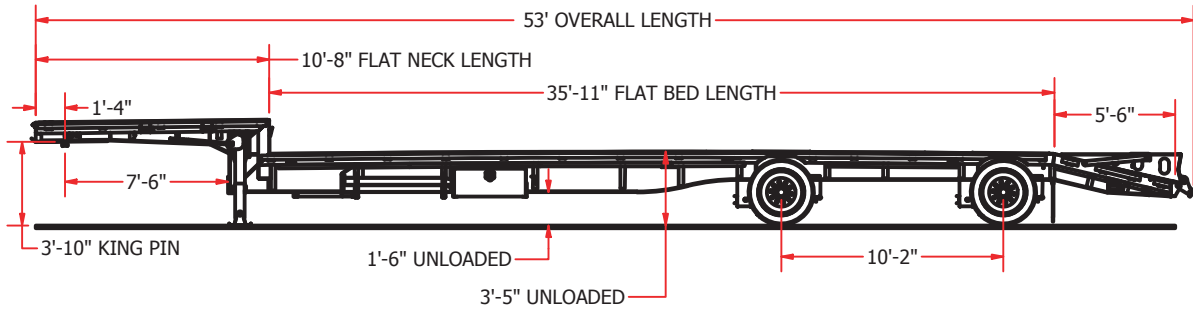
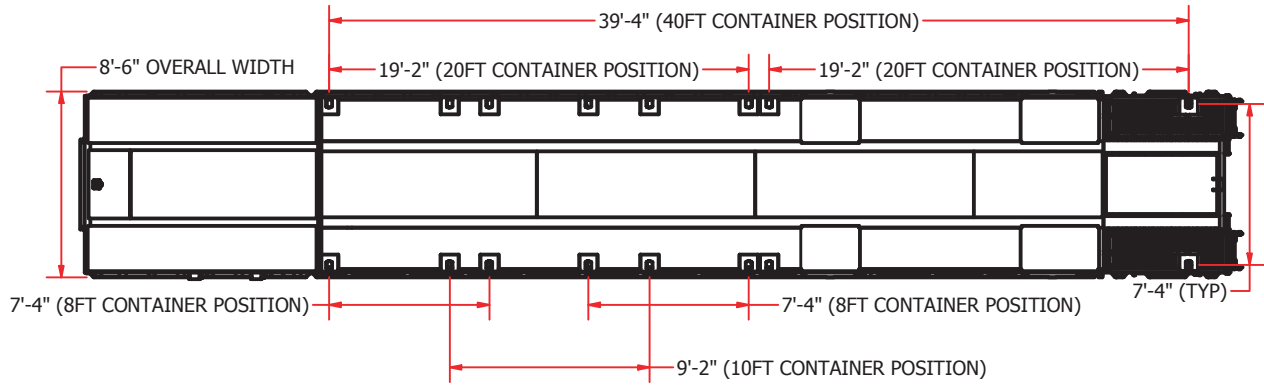
**TRUCK
TRAILER
PROS**

**Can carry (1) 10' ISO box, (1) 40'
ISO container, (2) 20'
ISO container or (2) 8' ISO boxes**



TISA
TRAILERS

**STEPDECK
2 AXLE**



STEPDECK 2 AXLE

DIMENSIONS

Overall Width	8 feet 6 inches
Overall Length	53 feet
Flat Bed Length	35 feet 11 inches
Flat Tail Length	5 feet 6 inches
Flat Neck Length	10 feet 8 inches
Bed Height	41 inches
Neck Height	56 inches
Kingpin Location	16 inches from rear face of front bolster
Fifth Wheel Height	46 inches
Landing Gear Location	9 feet 4 inches
Number of axles	2
Tare Weight	12,800 Lbs +/- 3%
Frame Rating	75,000 lbs
GVWR	80,000 lbs

STANDARD FEATURES

Cross Member	Fabricated steel
Upper Coupler Assembly	5/16" thick pick-up plate
Mud Flaps	24" x 24" black plastic, 4 hole mounting
Electrical System	12 volt, 7-way split pin receptacle plug
Floor	1.5 inches Apitong Wood
Wincher	4" Slider Wincher System
Tail	Spring assisted
Rims	8.25" x 22.5"
Tire Size	255/70R22.5
Hub Type	Steel
Axle Type	5" round, tapered, 77.5" long
Axle Centers	122 inches
Suspension Type	Air Suspension
Brake System	Valve system for service brakes. 251M BENDIX ABS system
Metal Preparation	Clean, dry steel and commercial blast cleaning
Primer	Zinc-rich primer
Topcoat	Urethane



**STEPDECK
2 AXLE**



**TRUCK
TRAILER
PROS**

Truck Trailer Pros
(210) 760-0509
Info@TruckTrailerPros.com

TruckTrailerPros.com